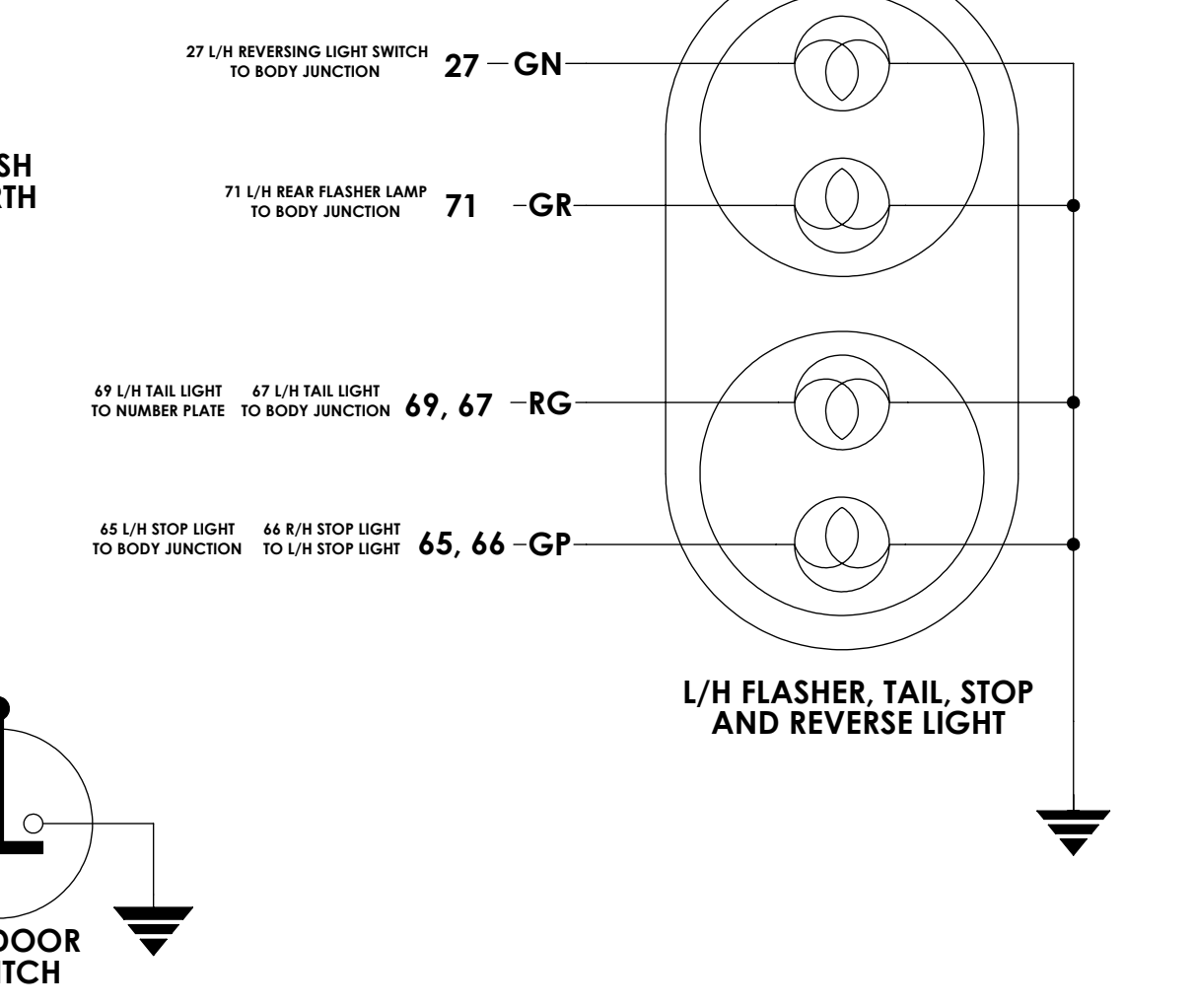
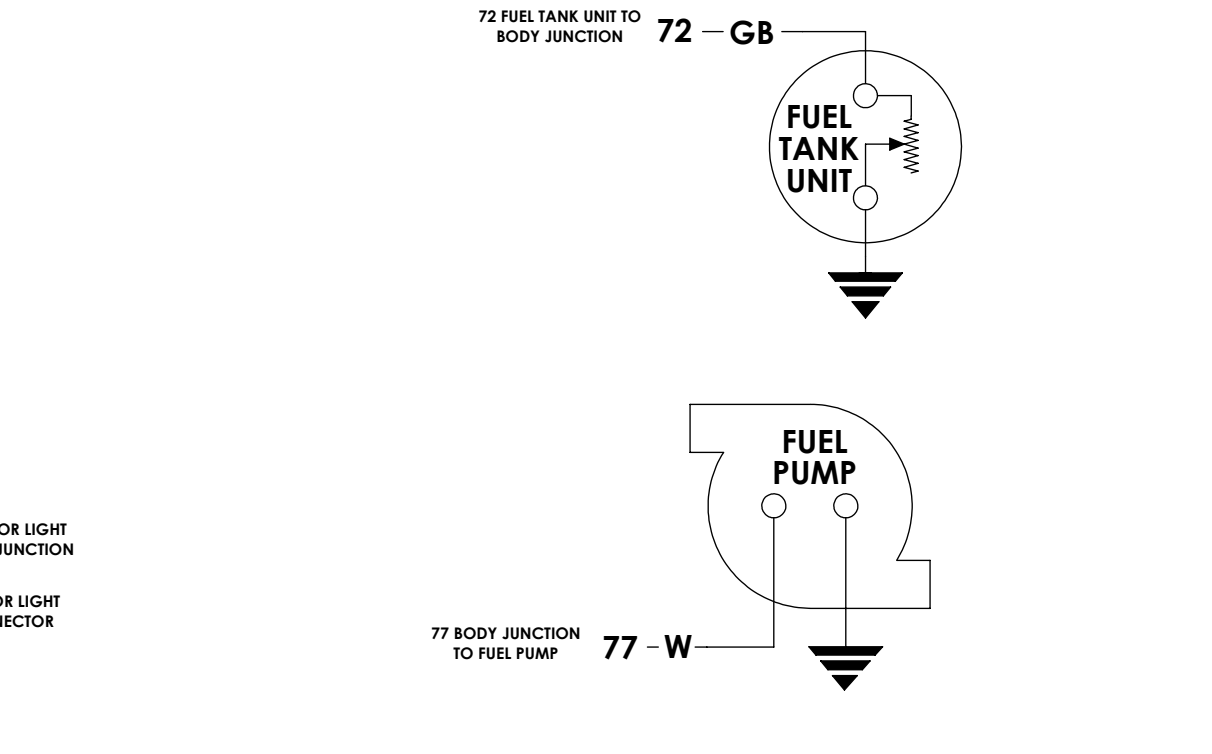
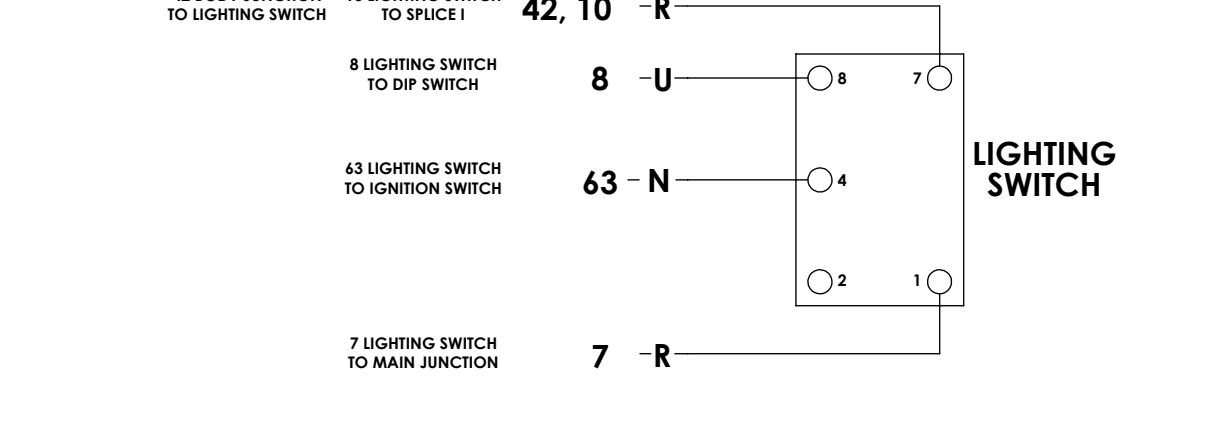
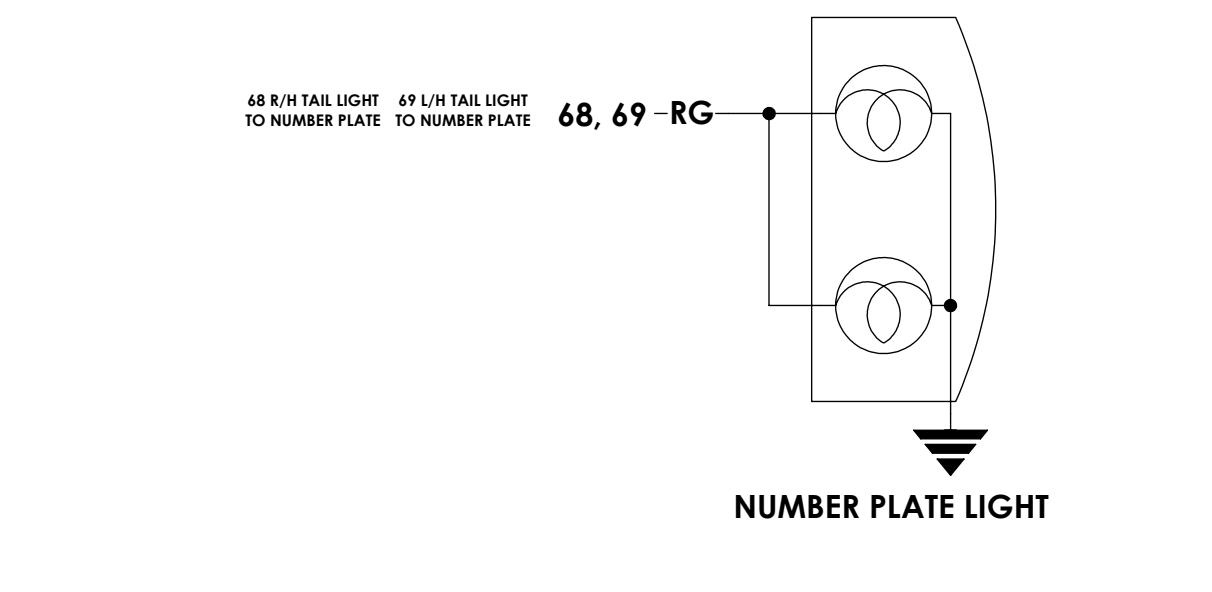
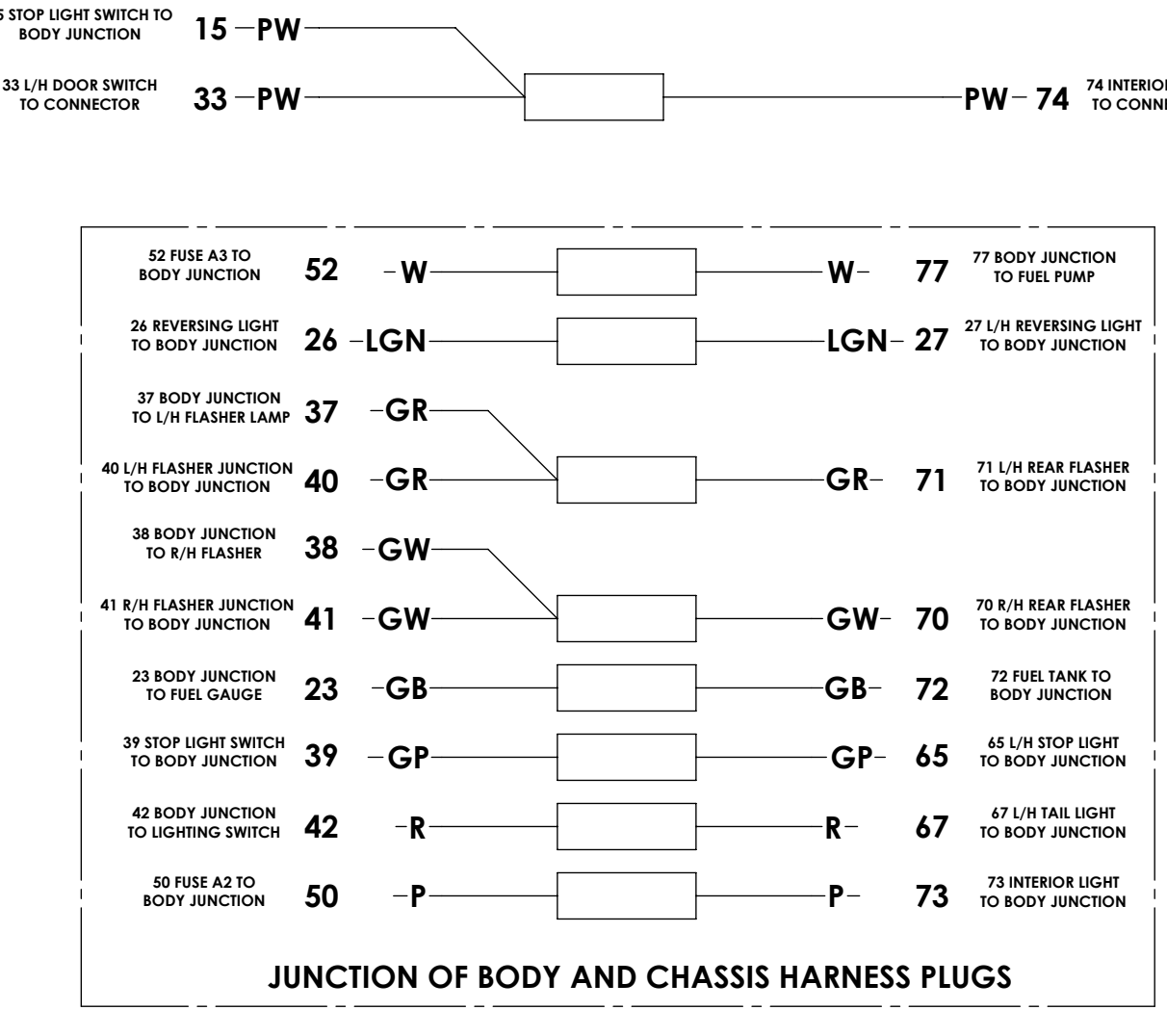
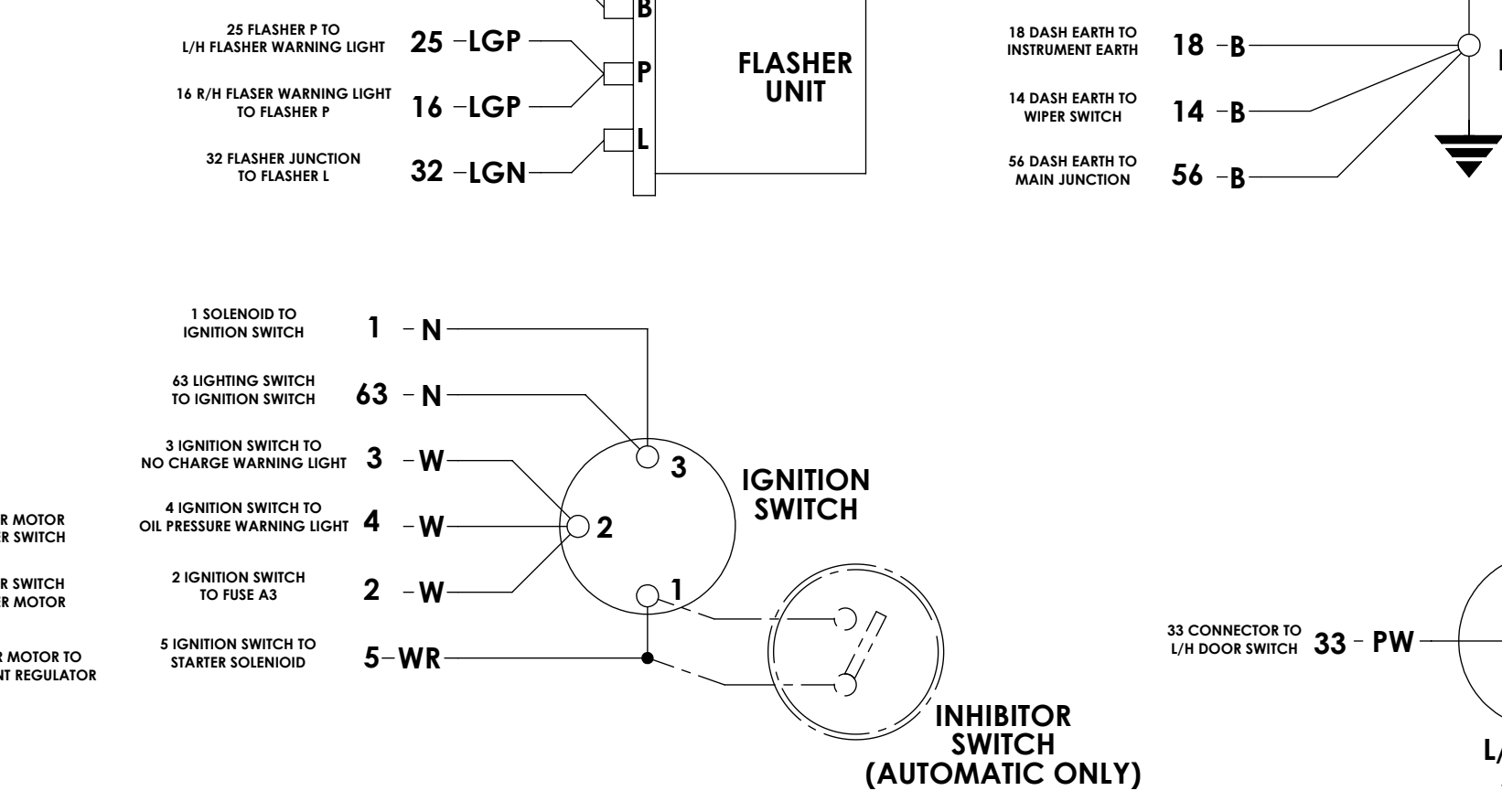
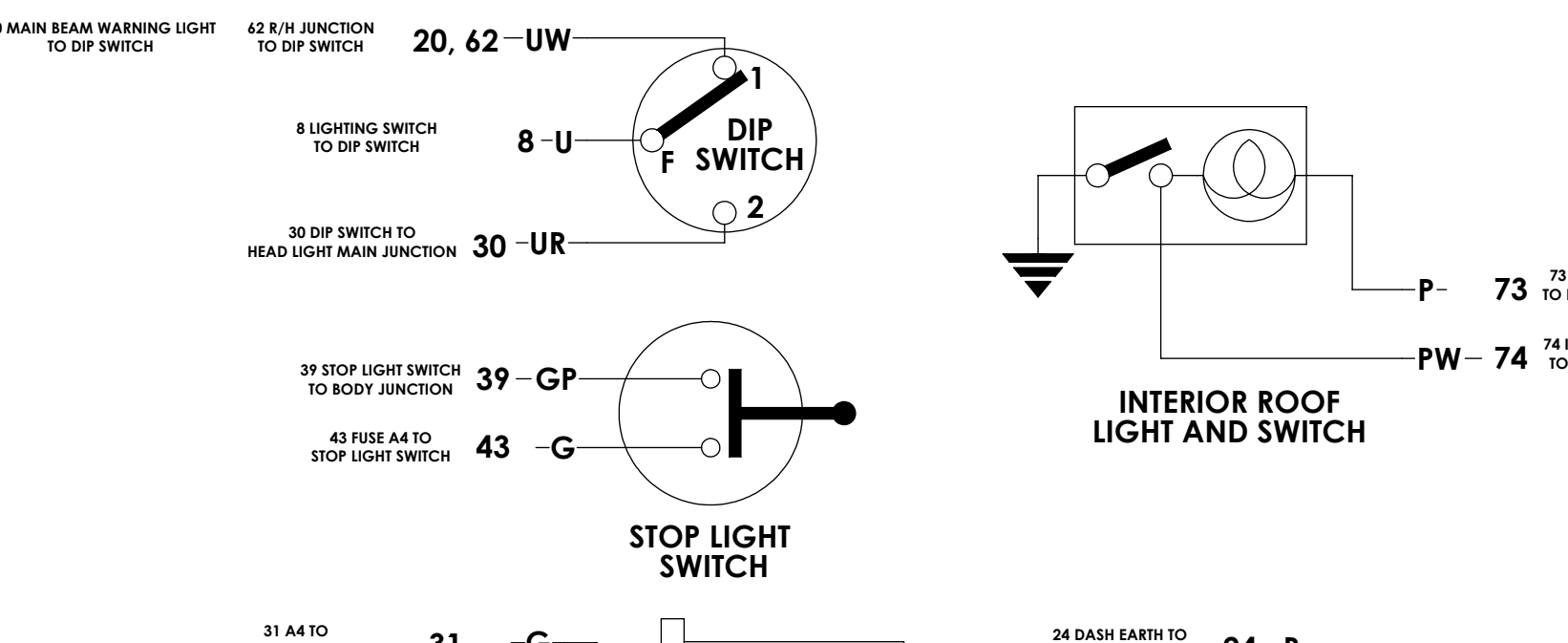
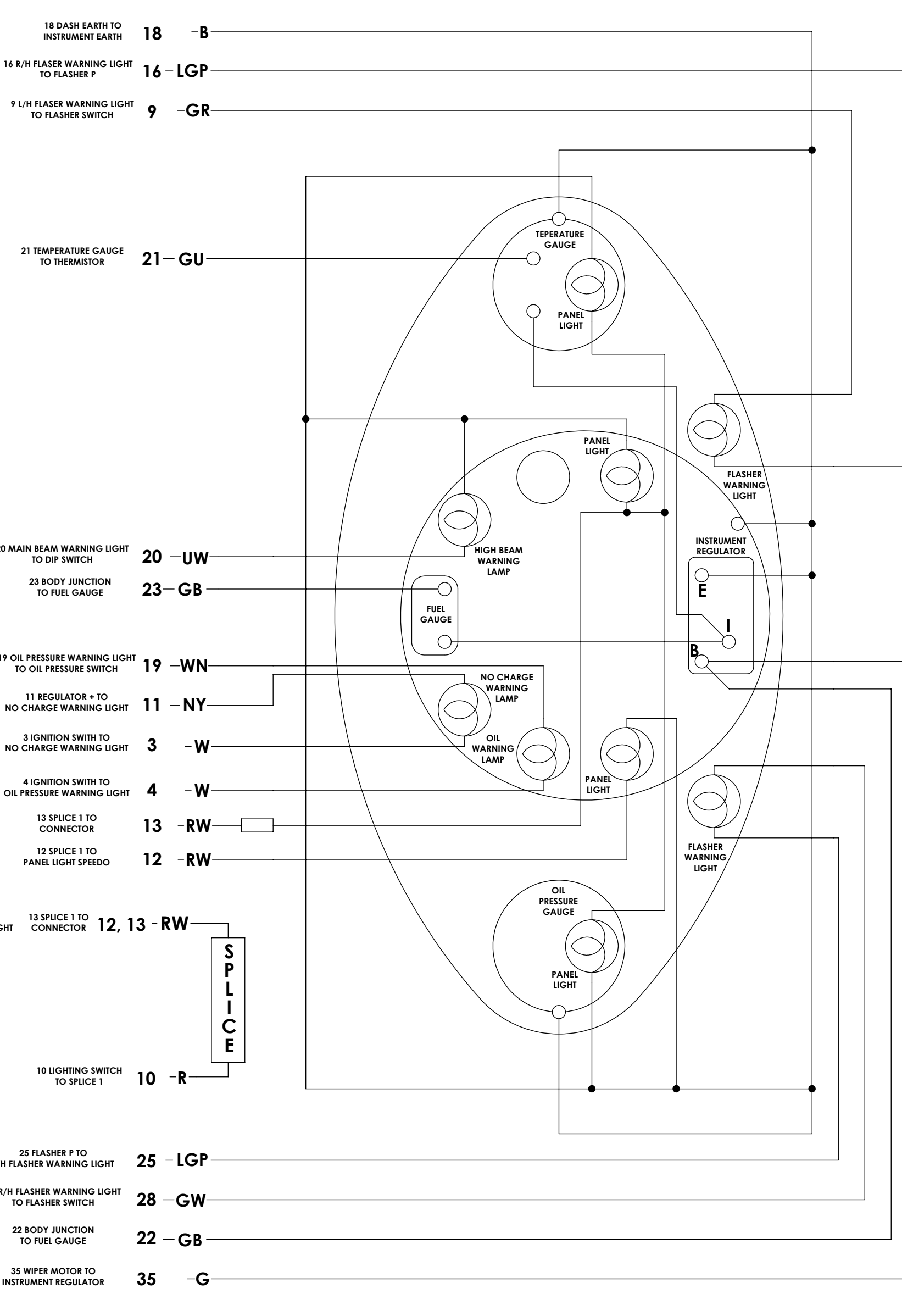
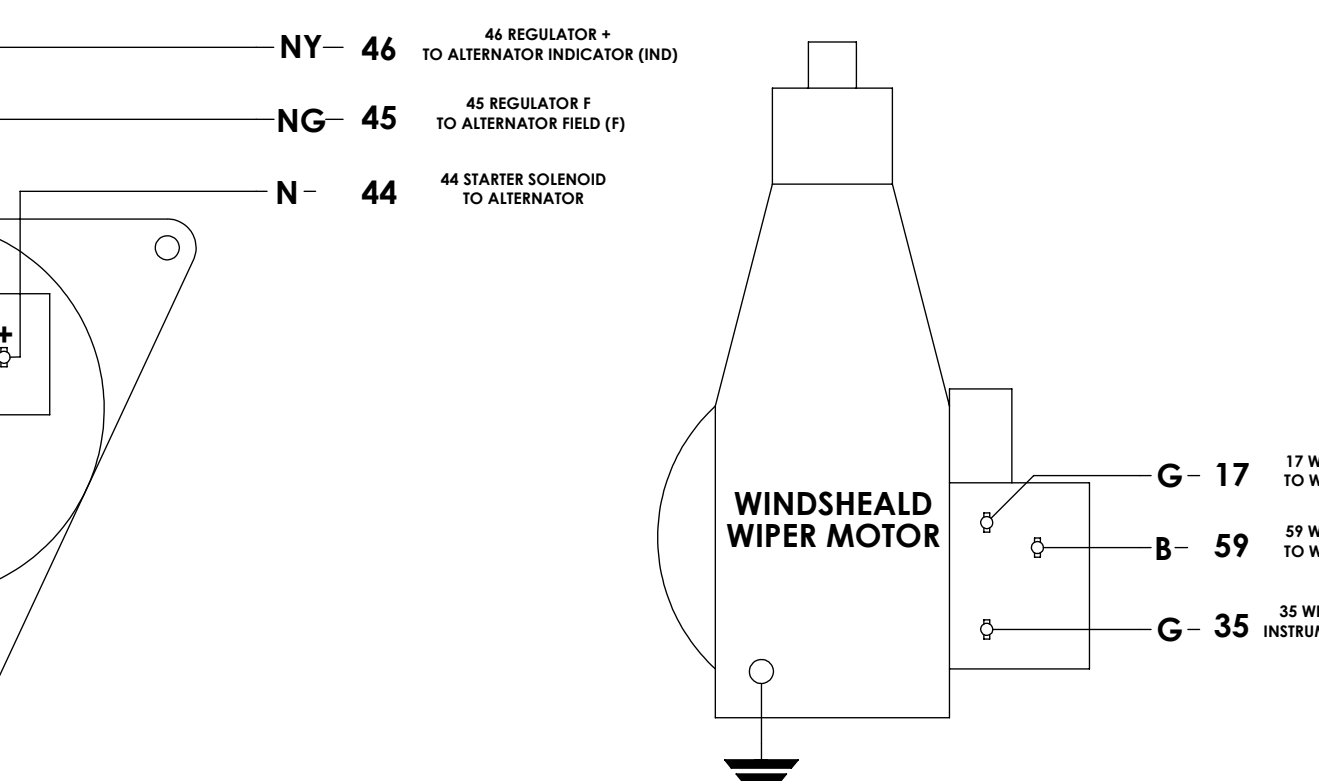
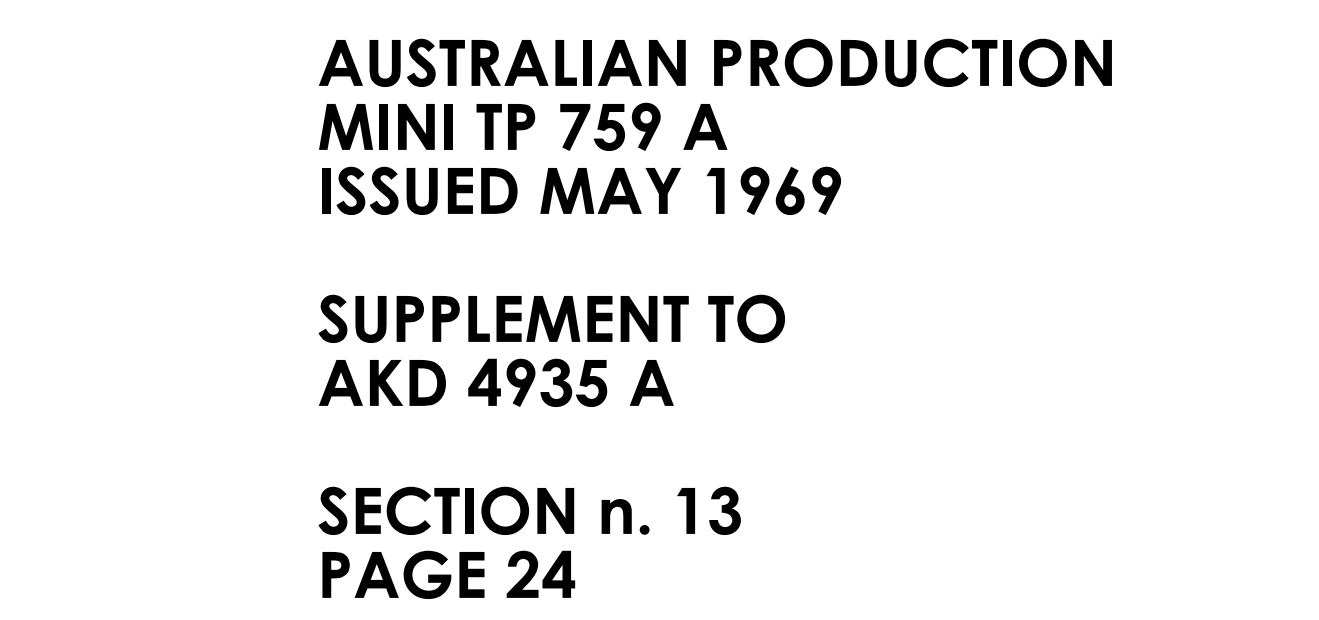
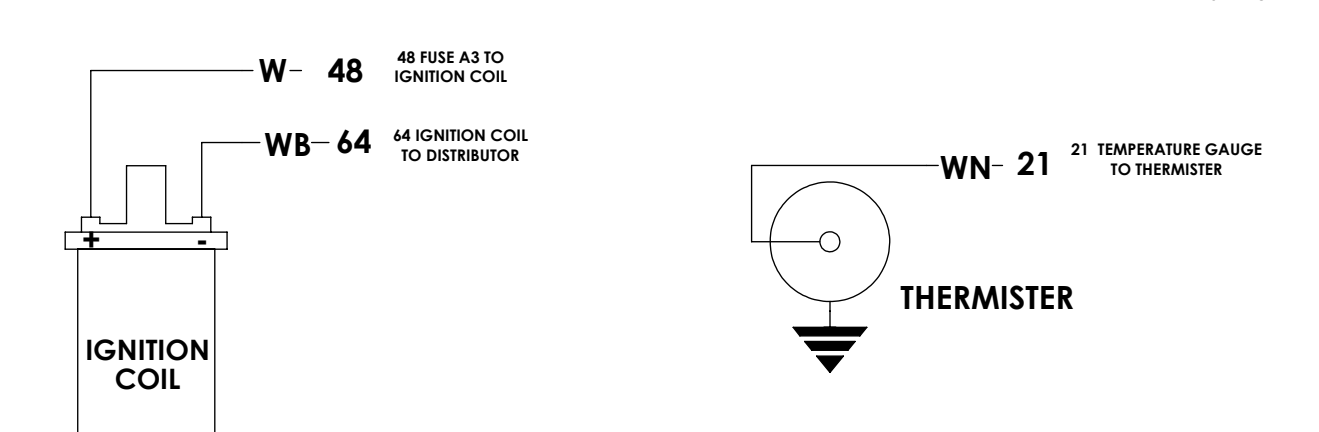
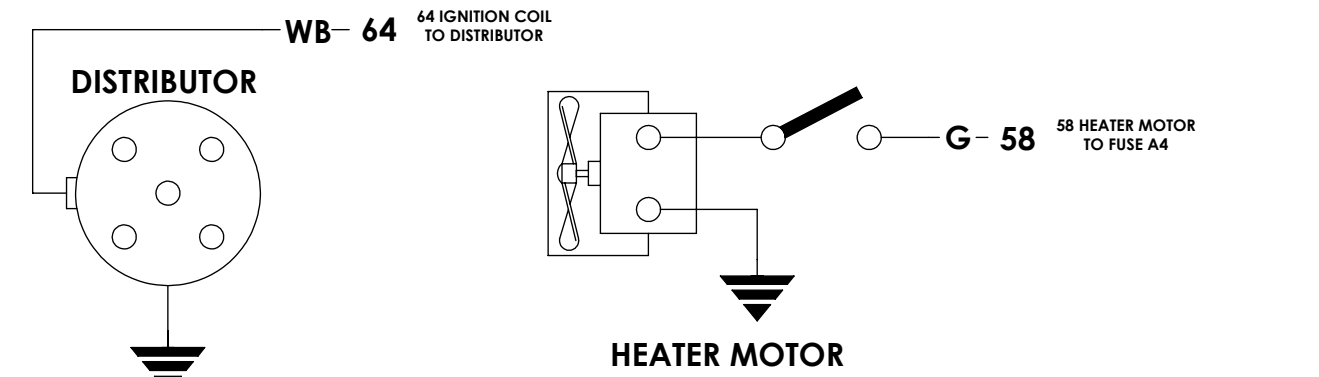
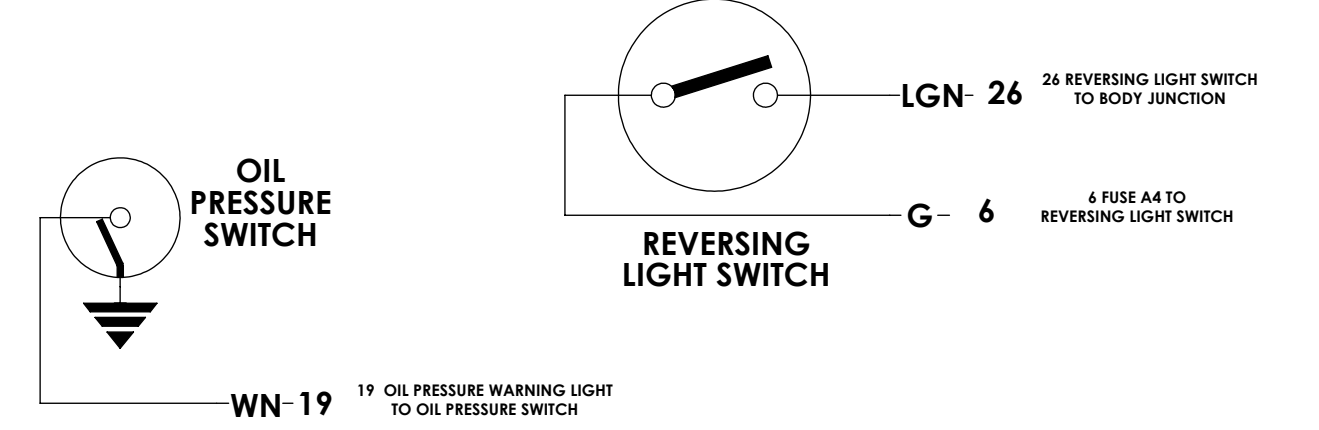
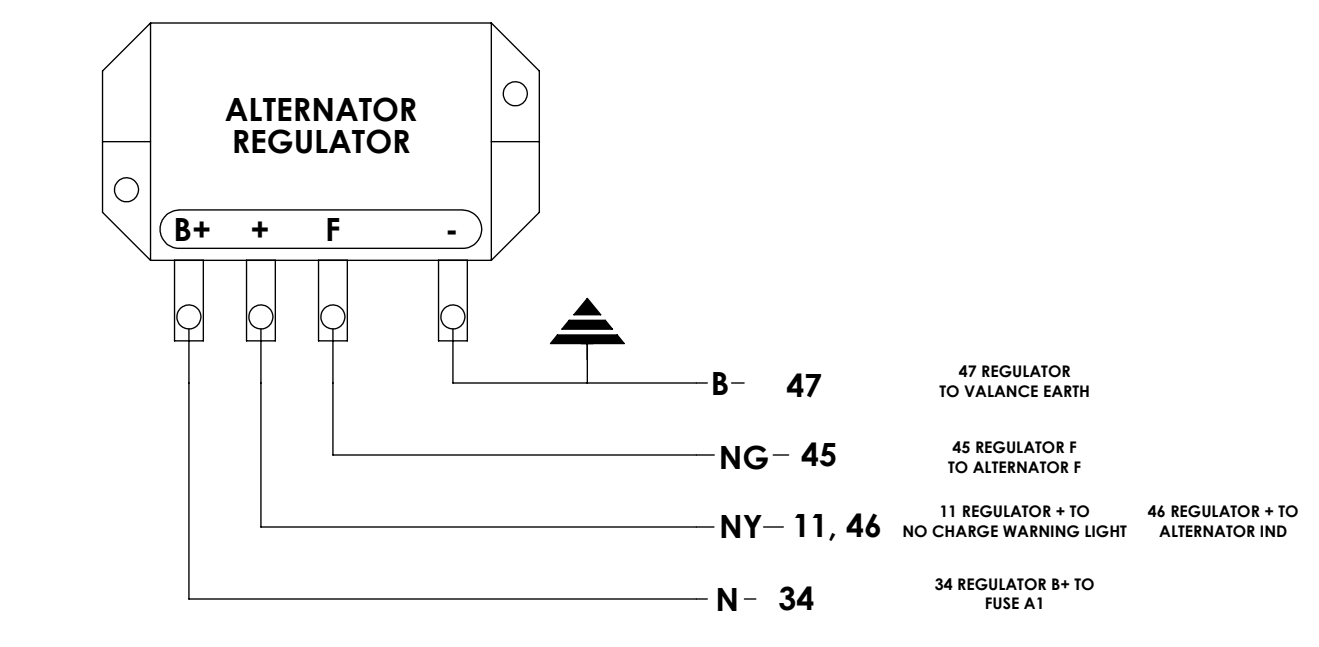
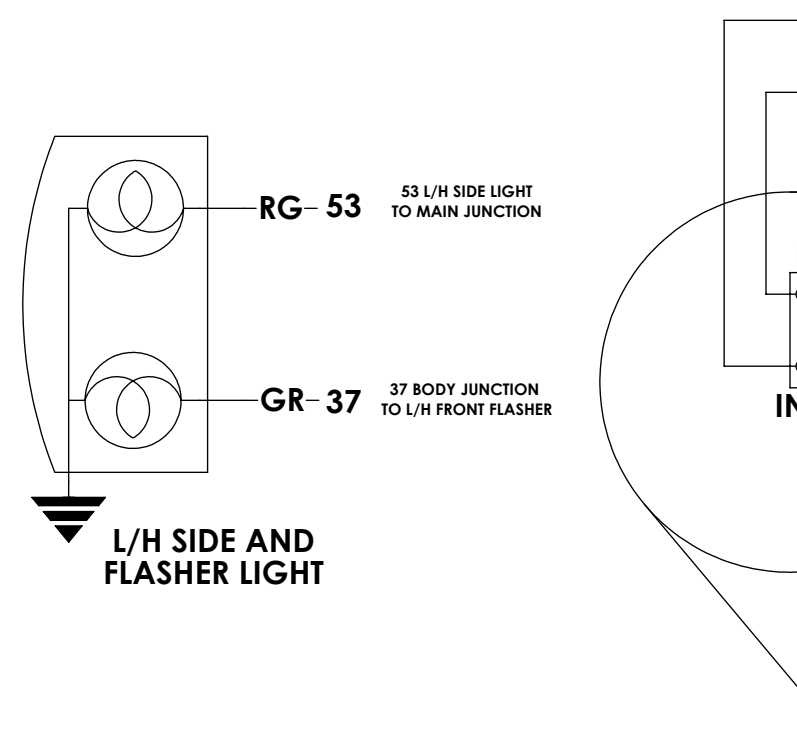
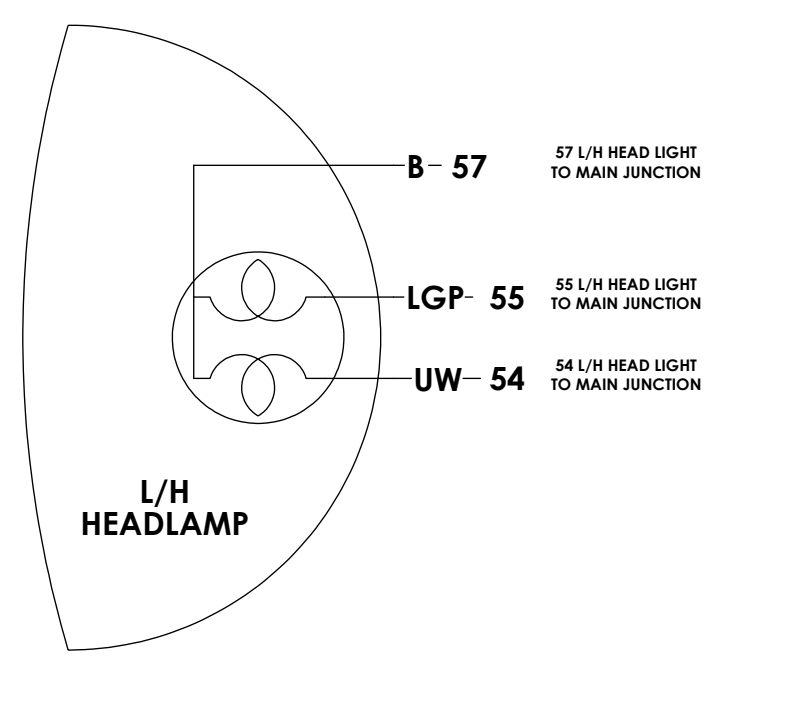
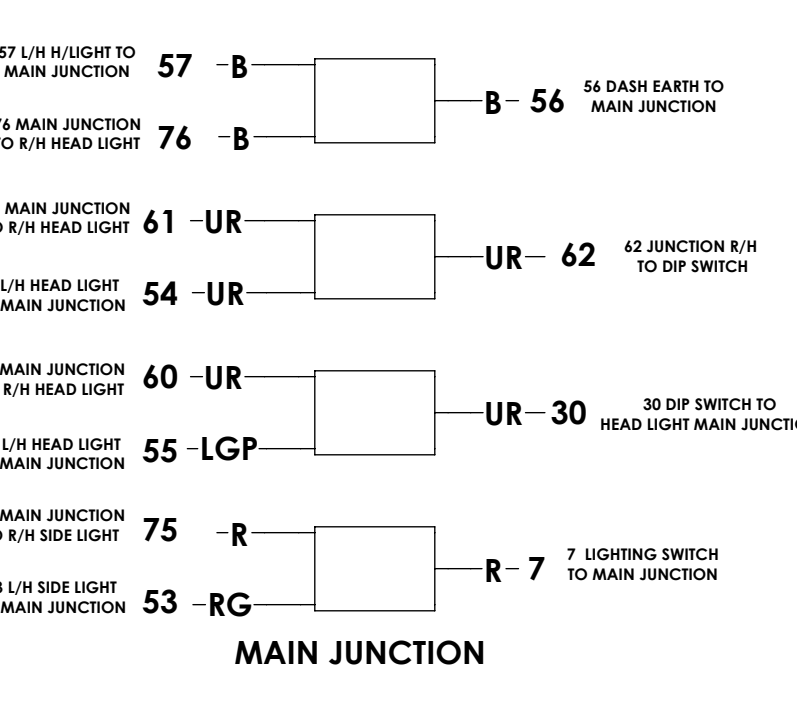
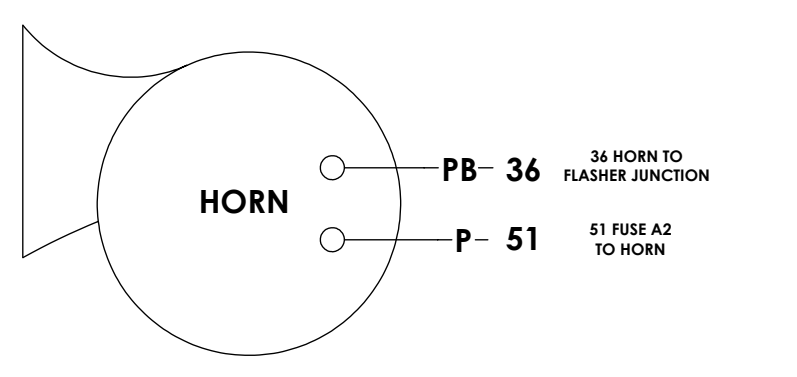
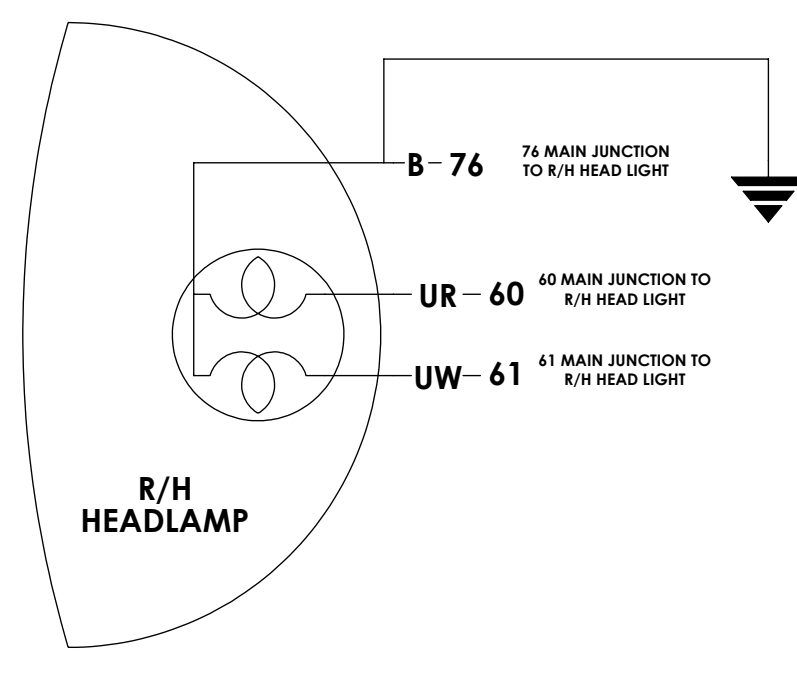
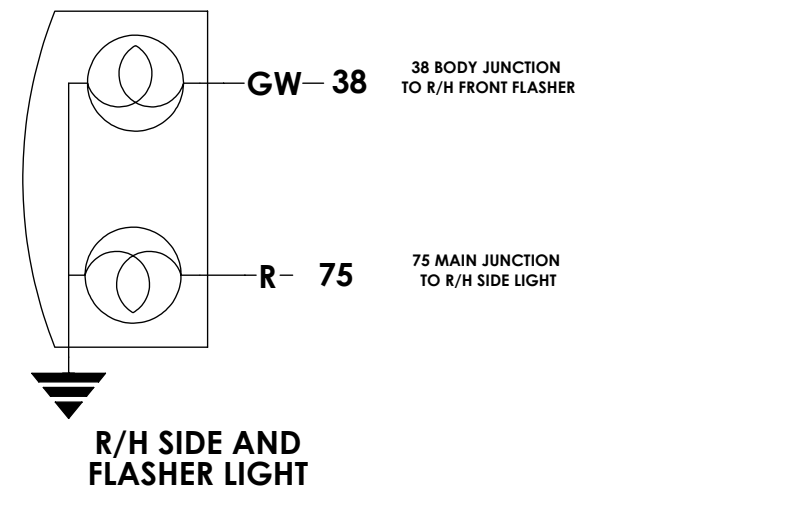
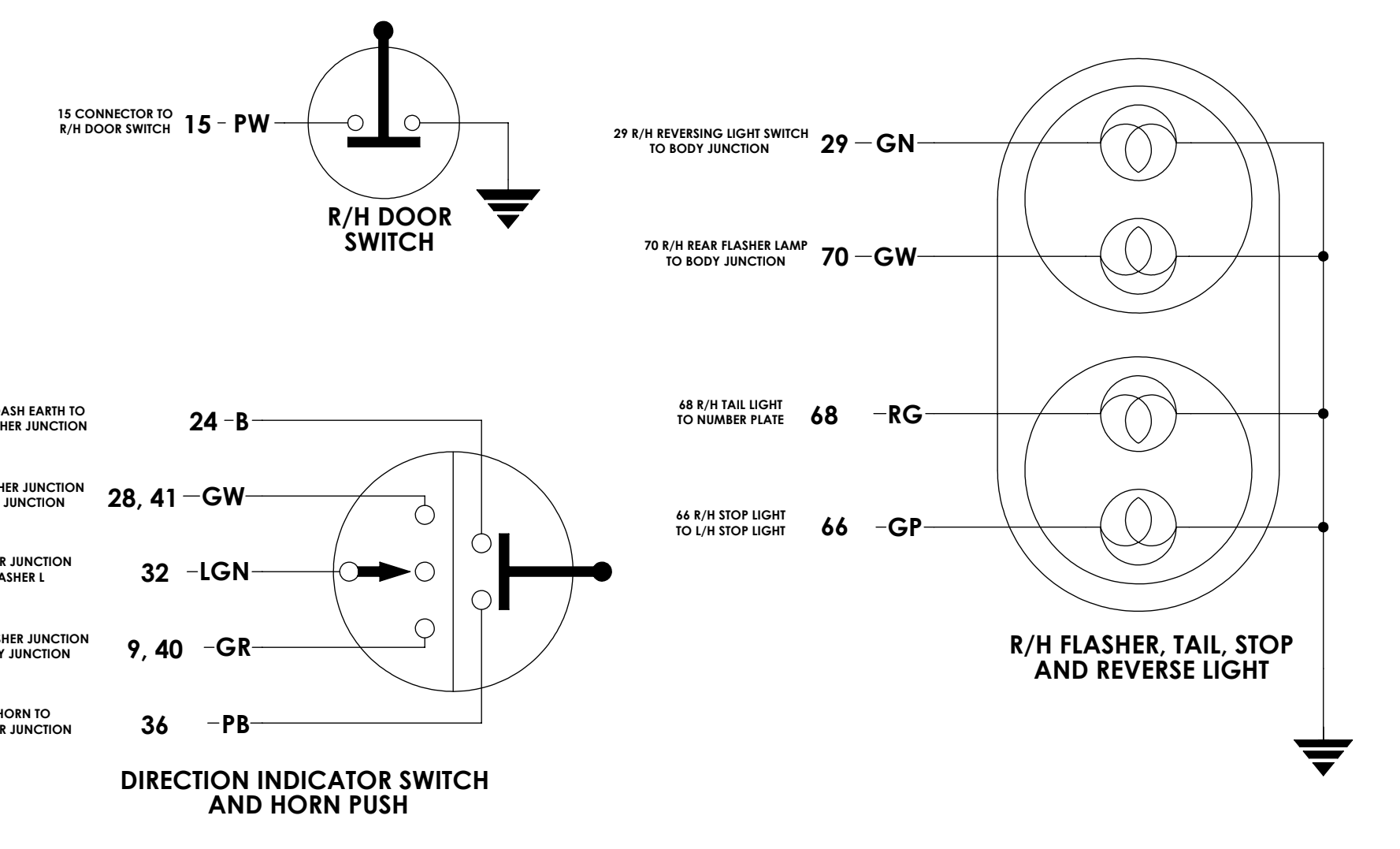
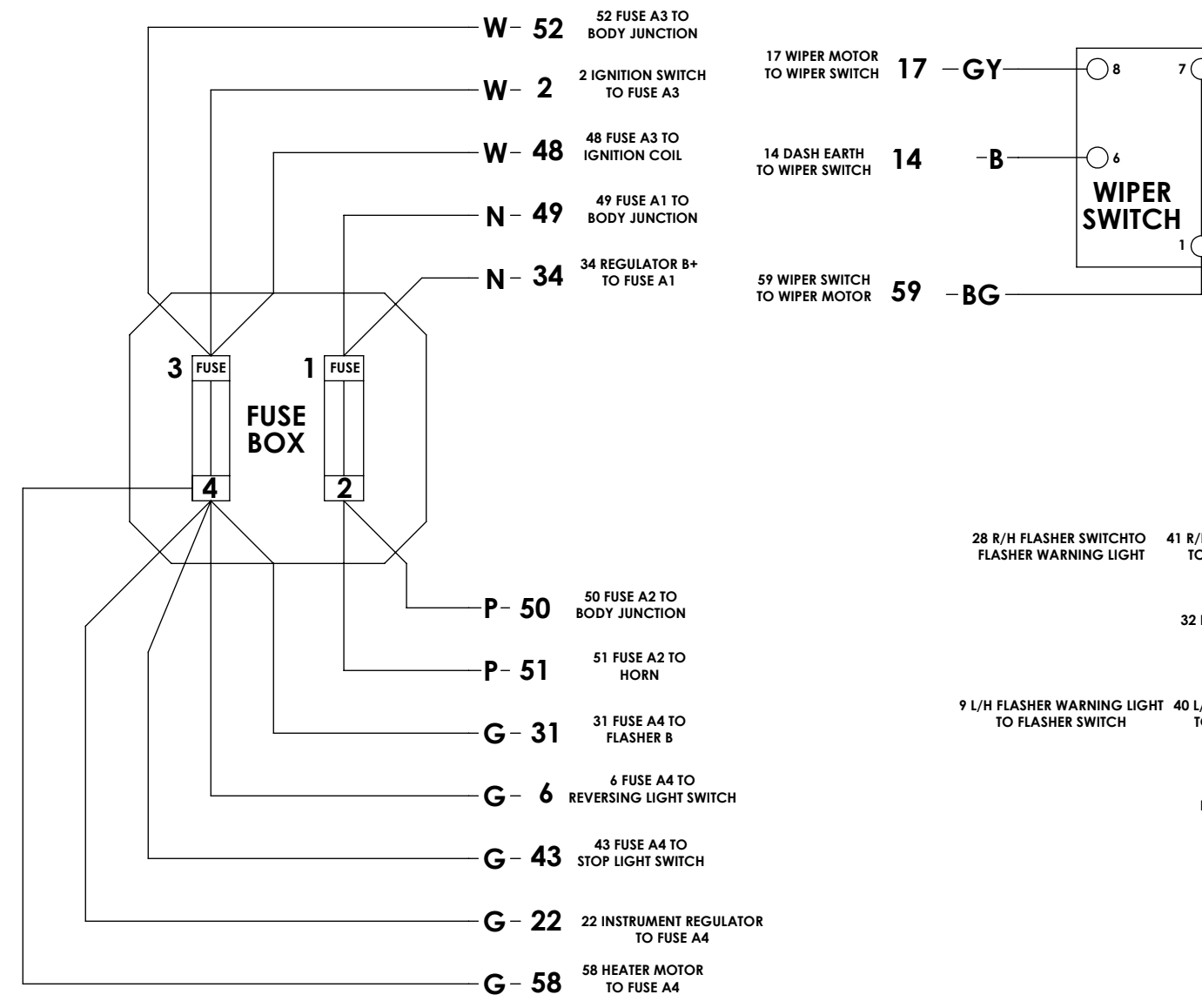


SHEET SIZE:
 28" (711.2mm) X 28" (711.2mm) AT 100%



BRITISH LEYLAND WIRING DIAGRAM
BMC MINI 1100 K, 1100 STD, VAN, MINIMATIC (11000), COOPER S (WITH ALTERNATOR)

AUSTRALIAN PRODUCTION MINI TP 759 A ISSUED MAY 1969

SUPPLEMENT TO AKD 4935 A
SECTION n. 13 PAGE 24